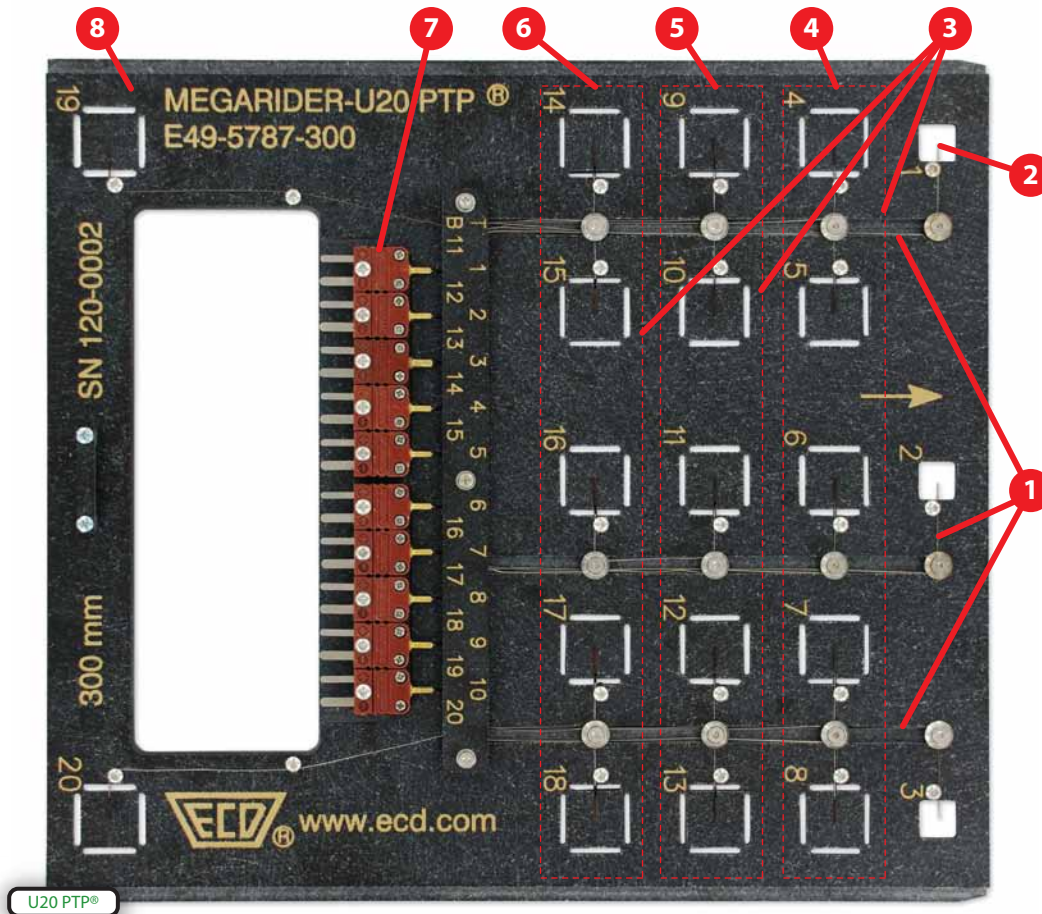


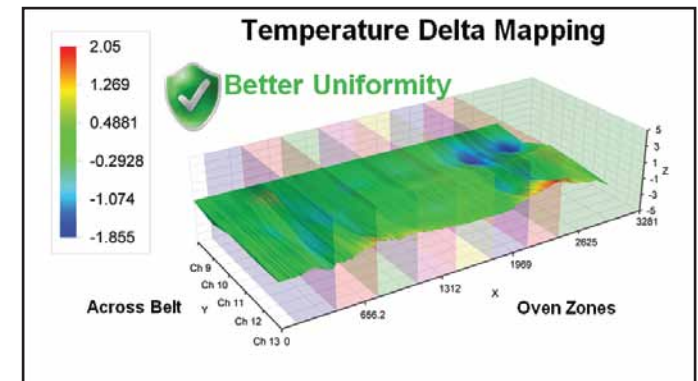
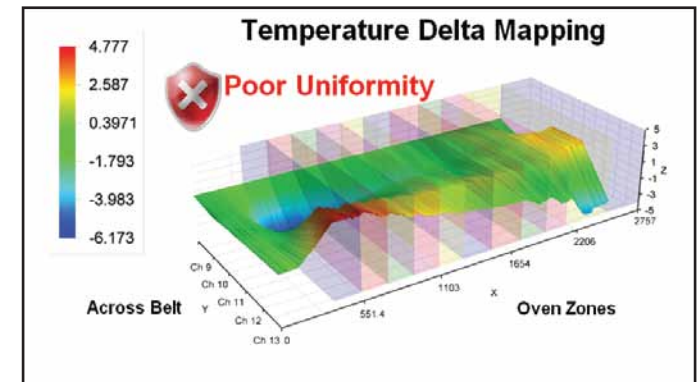


MEGARIDER™ PTP®

V10, S14 & U20 QUICK STUDY GUIDE



MEGARIDER™ PTP® test pallets are used where high precision is paramount and oven performance must be known to hold it to a tight tolerance.



MEGARIDER™ PTP® FEATURES

- 1 Inconel®-sheathed Thermocouples (K-type; SLE):** The sensor type used for all of the MEGARIDER™ PTP® ambient and mass sensors.
- 2 Ambient Zone Temperature Measurements:** Thermocouples for the determination of the ambient temperature at surface level of the PCB.
- 3 Sensors:** Thermocouples, which are attached to different measurement standards. The measurement standards differ only in their material thickness to measure the heating capabilities of an oven.
- 4 Sensors, Thin (1.6mm [0.063"]):** Thermocouples for the determination of cross oven conveyor temperature deltas for thin material.
- 5 Sensors, Medium (3.2mm [0.125"]):** Thermocouples for the determination of cross oven conveyor temperature deltas for medium material.
- 6 Sensors, Thick (6.0mm [0.236"]):** Thermocouples for the determination of cross oven conveyor temperature deltas for thick material.
- 7 Sensor Connector Bridge:** Where wire harness adaptors connect the MEGARIDER™ PTP® to a Thermal Profiler.
- 8 Test Pallet:** These test pallet boards endure thousands of runs through the oven without significant degradation. Far beyond the 6-10 with standard laminate PCBs used as "Golden Boards".




Note: These definitions refer to the features on the U20 PTP®. See reverse side for the complete MEGARIDER™ V10, S14 & U20PTP® Pallet Specification Comparison Chart.



ECD
 4287-B S.E. International Way
 Milwaukie, Oregon 97222-8825
 e-mail: ecd@ecd.com Internet: www.ecd.com

Main: 503-659-6100
 Service: 800-323-4548
 Fax :503-659-4422

MEGARIDER™ PTP® Pallet Specification Comparison Chart

Material	Black Durapol or Equivalent		
Sensor Connection	"K" standard Mini high temp		
			
Name	MEGARIDER™ V10 PTP®	MEGARIDER™ S14 PTP®	MEGARIDER™ U20 PTP®
Part number	E49-4787-300	E49-3787-300	E49-5787-300
Width	300 mm (11.81 in)	300 mm (11.81 mm)	300 mm (11.81 mm)
Length	270 mm (10.6 in)	310 mm (12.2 in)	330 mm (13.0 in)
Thickness	5 mm (0.197 in)	6 mm (0.236 in)	6 mm (0.236 in)
Height (Including Pallet)	13 mm (0.512 in)	23 mm (0.911 in)	15 mm (0.591 in)
Depth (Below Pallet)	0	0	9 mm (0.355 in)
Sensors	10	14	20

Sensor Type and Mass Thickness +/-0.1 mm (+/- 0.004 in)

1	1.60 mm (0.063 in)	1.5 mm (0.059 in)	Ambient
2	1.60 mm (0.063 in)	1.5 mm (0.059 in)	Ambient
3	1.60 mm (0.063 in)	1.5 mm (0.059 in)	Ambient
4	1.60 mm (0.063 in)	Ambient	1.6 mm (0.063 in)
5	Ambient	Ambient	1.6 mm (0.063 in)
6	Ambient	Ambient	1.6 mm (0.063 in)
7	Ambient	6.0 mm (0.236 in)	1.6 mm (0.063 in)
8	Ambient	1.5 mm (0.059 in) Bottom	1.6 mm (0.063 in)
9	5.00 mm (0.197 in)	5.0 mm (0.197 in)	3.2 mm (0.126 in)
10	1.60 mm (0.063 in) Bottom	4.0 mm (0.158 in)	3.2 mm (0.126 in)
11	n/a	3.0 mm (0.118 in)	3.2 mm (0.126 in)
12	n/a	2.5 mm (0.098 in)	3.2 mm (0.126 in)
13	n/a	2.0 mm (0.078 in)	3.2 mm (0.126 in)
14	n/a	1.0 mm (0.039 in)	6.0 mm (0.236 in)
15	n/a	n/a	6.0 mm (0.236 in)
16	n/a	n/a	6.0 mm (0.236 in)
17	n/a	n/a	6.0 mm (0.236 in)
18	n/a	n/a	6.0 mm (0.236 in)
19	n/a	n/a	1.6 mm (0.063 in)
20	n/a	n/a	1.6 mm (0.063 in)