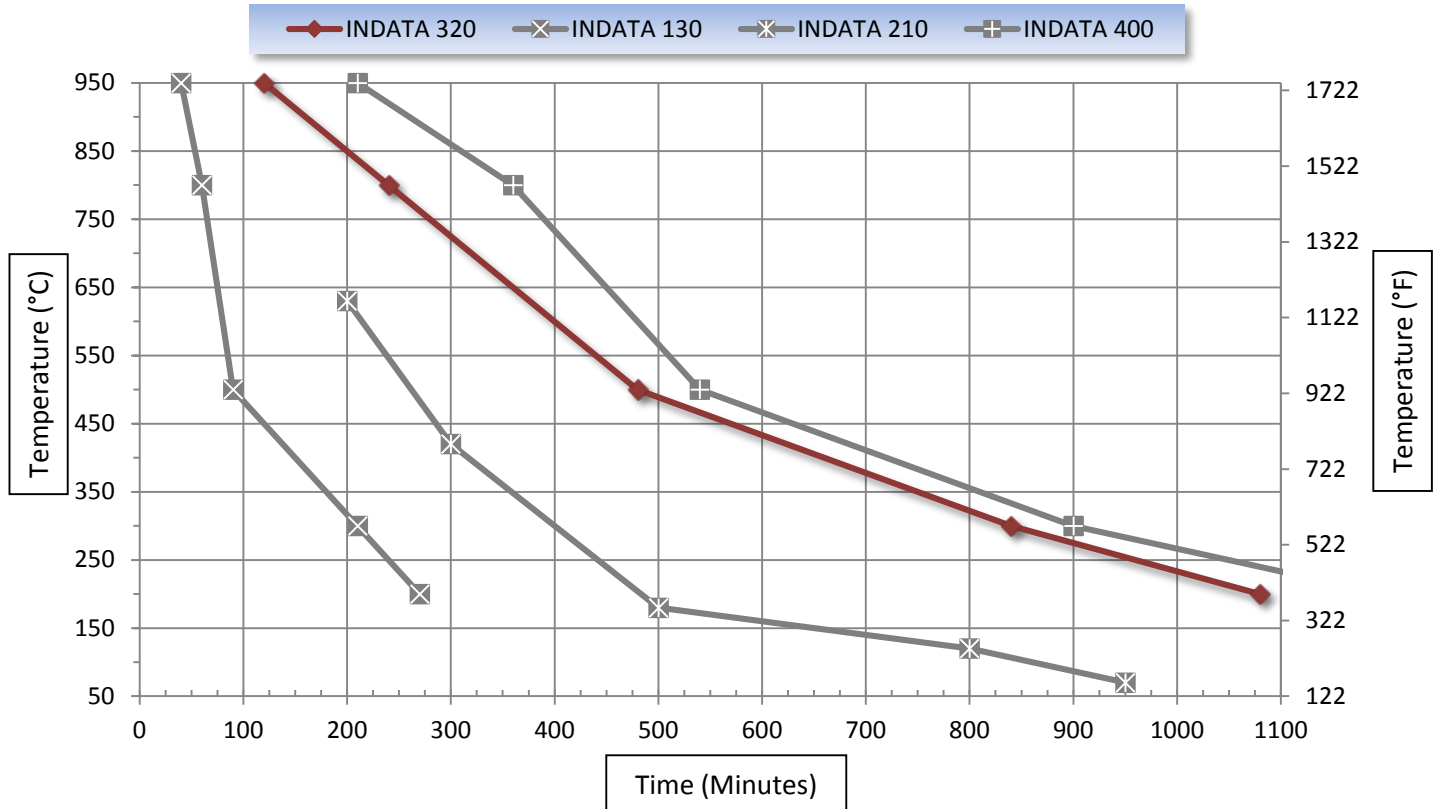


# Thermal Barrier Datasheet

## INDATA® 320

ECD P/N: E31-0911-80



Temperature:	200°C [392°F]	300°C [572°F]	500°C [932°F]	800°C [1472°F]	950°C [1742°F]
Duration time:	18 hours	14 hours	8 hours	4 hours	2 hours
Max Operational Temp.:	The maximum operation temperature of the barrier is between 800°C [1472°F] and 950°C [1742°F] (depending on the environment).				
Handling Details:	This barrier includes 2 heat sinks to absorb heat. Please make sure these canisters are fully cooled to 15°C [59°F] before reuse.				



North & South America, Europe  
 ECD World Headquarters  
 4287-B SE International Way  
 Milwaukie, Oregon 97222-8825 U.S.A.  
 Tel: +1 503 659 6100 | + 1 800 323 4548  
 Fax: + 1 503 659 4422  
 E-Mail: [sales@ecd.com](mailto:sales@ecd.com) | Web: [www.ecd.com](http://www.ecd.com)

ECD Asia/Pacific  
 Singapore  
 Mobile: +65 9692 6822  
 Fax: +65 6241 9890  
 E-Mail: [ecd.asia@ecd.com](mailto:ecd.asia@ecd.com)

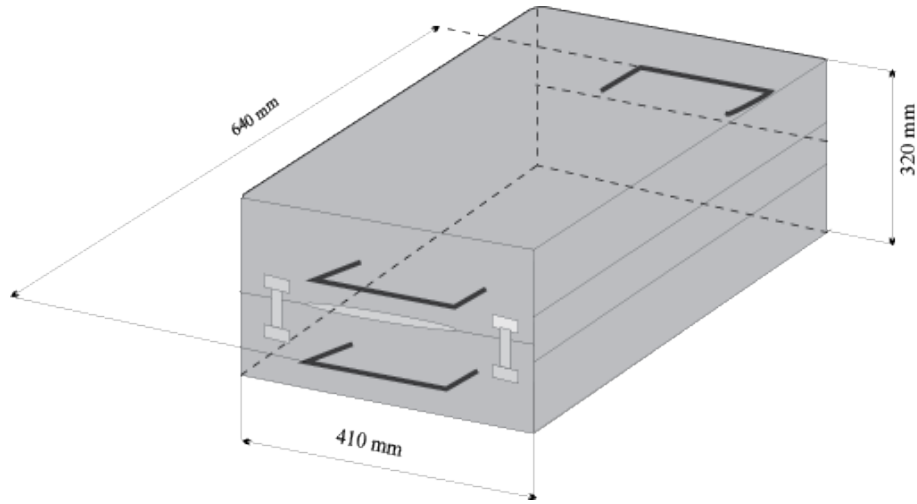
ECD Europe/Africa/Middle East  
 Mobile: +48 512 659 100  
 E-Mail: [ecd.europe@ecd.com](mailto:ecd.europe@ecd.com)

- Top rated customer support • No-cost ECD Online Training • Award winning software •

# Thermal Barrier Datasheet

## INDATA® 320

ECD P/N: E31-0911-80



Barrier Dimensions:	Height:	Width:	Length:	Weight:
	320 mm [12.60"]	410mm [16.14"]	640mm [25.20"]	45kg [99.20lbs]



North & South America, Europe  
 ECD World Headquarters  
 4287-B SE International Way  
 Milwaukie, Oregon 97222-8825 U.S.A.  
 Tel: +1 503 659 6100 | + 1 800 323 4548  
 Fax: + 1 503 659 4422  
 E-Mail: [sales@ecd.com](mailto:sales@ecd.com) | Web: [www.ecd.com](http://www.ecd.com)

ECD Asia/Pacific  
 Singapore  
 Mobile: +65 9692 6822  
 Fax: +65 6241 9890  
 E-Mail: [ecd.asia@ecd.com](mailto:ecd.asia@ecd.com)

ECD Europe/Africa/Middle East  
 Mobile: +48 512 659 100  
 E-Mail: [ecd.europe@ecd.com](mailto:ecd.europe@ecd.com)

- Top rated customer support • No-cost ECD Online Training • Award winning software •