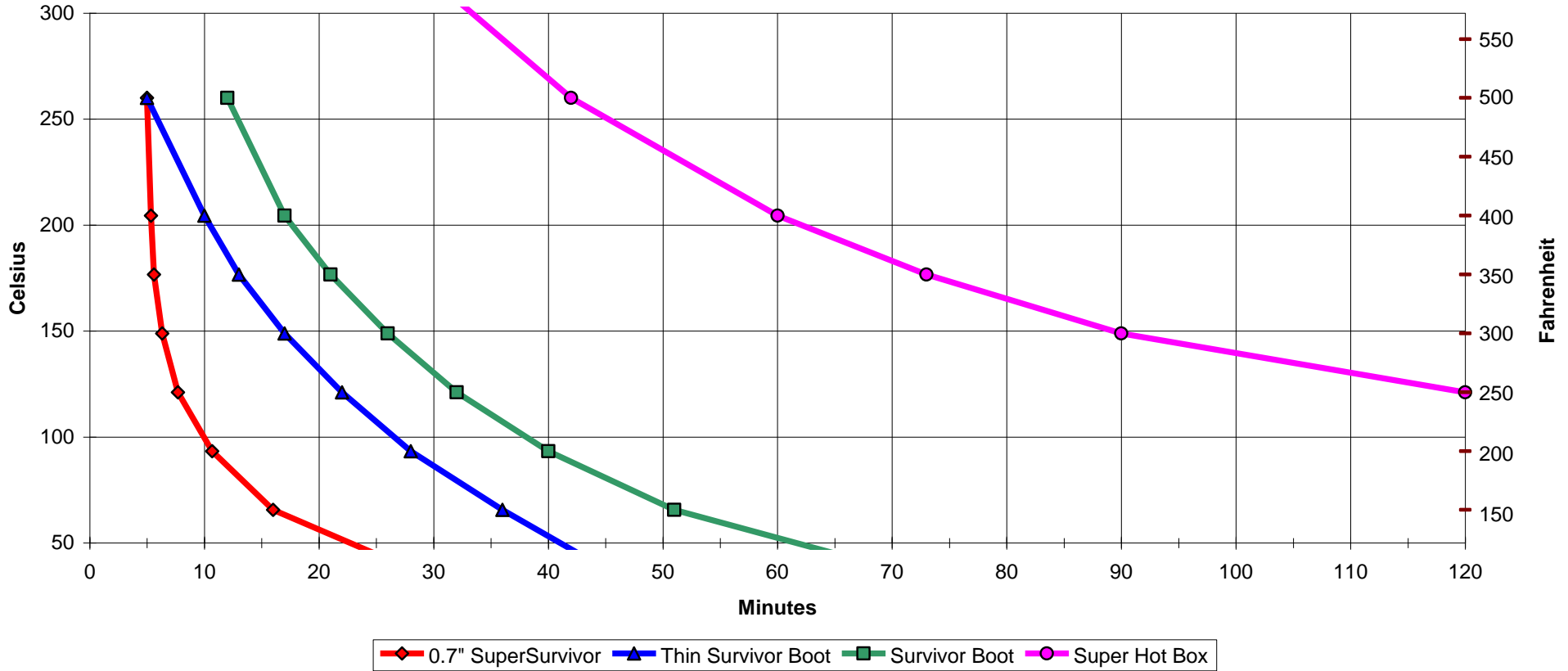
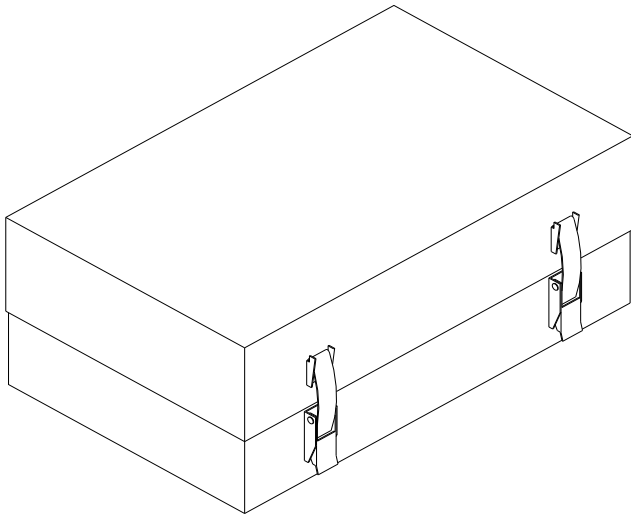


# SuperM.O.L.E.® Gold & SuperM.O.L.E.® Gold 2 Alternate Thermal Barriers

## Armor Chart

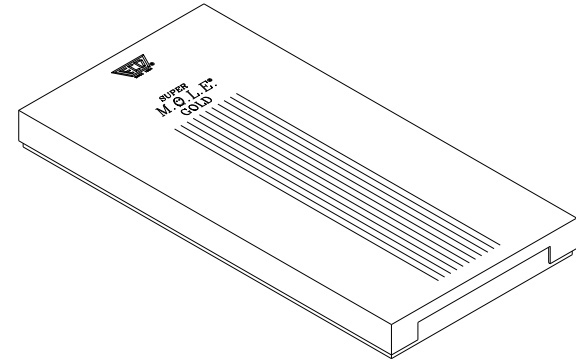


Electronic Controls Design Inc. 4287-B S.E. International Way, Milwaukie, Oregon 97222  
Toll Free: (800) 323-4548 Phone: (503) 659-6100 Fax: (503) 659-4422



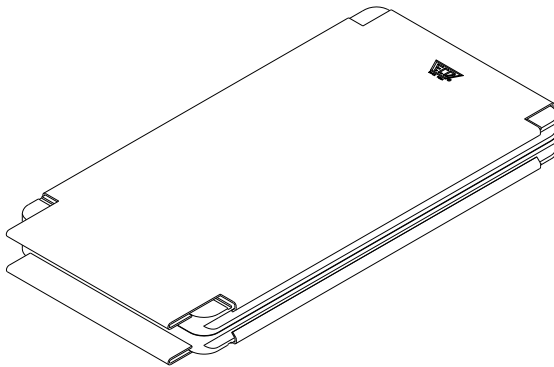
**SUPER HOT BOX**

Part Number: E29-2686-90  
Dimensions, Inches: 5.25" x 7.9" x 13.0"  
Dimensions, Millimeters: 133.4 x 200.7 x 330.2mm  
Weight: 11lbs 11oz (5.30kg)



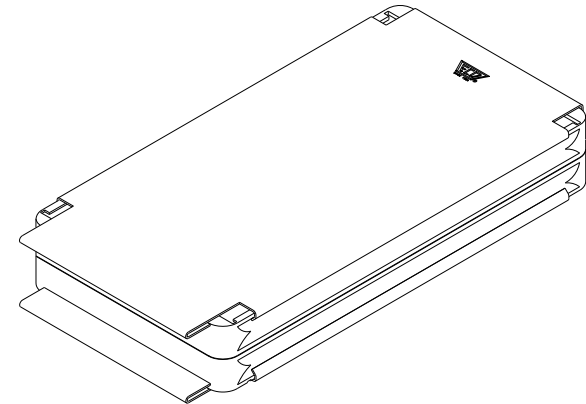
**0.7" SuperSurvivor**

Part Number: E31-0903-80  
Dimensions, Inches: 0.7" x 4.2" x 8.5"  
Dimensions, Millimeters: 17.8 x 107 x 216mm  
Weight: 1lb 3oz (0.54kg)



**THIN SURVIVOR. BOOT**

Part Number: E31-0900-80  
Dimensions, Inches: 1.0" x 5.2" x 10.2"  
Dimensions, Millimeters: 25.4 x 132.1 x 259.1mm  
Weight: 2lbs 5oz (1.05kg)



**SURVIVOR BOOT**

Part Number: E31-0900-70  
Dimensions, Inches: 1.4" x 5.2" x 10.2"  
Dimensions, Millimeters: 35.6 x 132.1 x 259.1mm  
Weight: 2lbs 15oz (1.33kg)