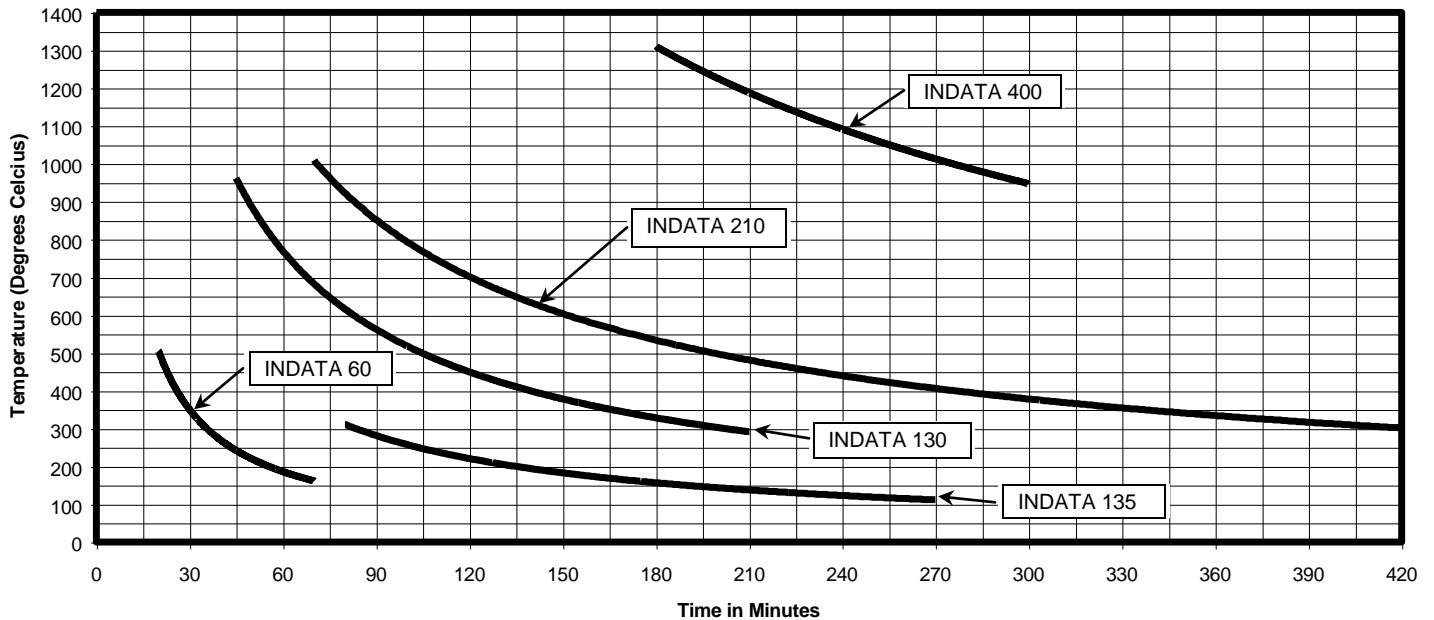




Optional Thermal Barrier Selection Chart



BARRIERS	Part Number	Dimensions, Inches			Dimensions, Millimeters		
		H	W	L	H	W	L
INDATA 60 Barrier	SE31-0908-80	2.5"	10.0"	13.0"	62	250	320mm
INDATA 130 Barrier	SE31-0905-80	5.1"	13.2"	17.9"	130	335	455mm
INDATA 135 Barrier	SE31-0907-80	5.3"	9.1"	13.8"	135	230	350mm
INDATA 210 Barrier	SE31-0906-80	8.2"	13.2"	17.9"	208	335	455mm
INDATA 400 Barrier	SE31-0910-80	12.5"	16.1"	25.2"	320	410	640mm

Product(s) Manufactured at this Location: _____

Oven/Furnace/Kiln Type: _____

Duration: _____ Temperature: _____

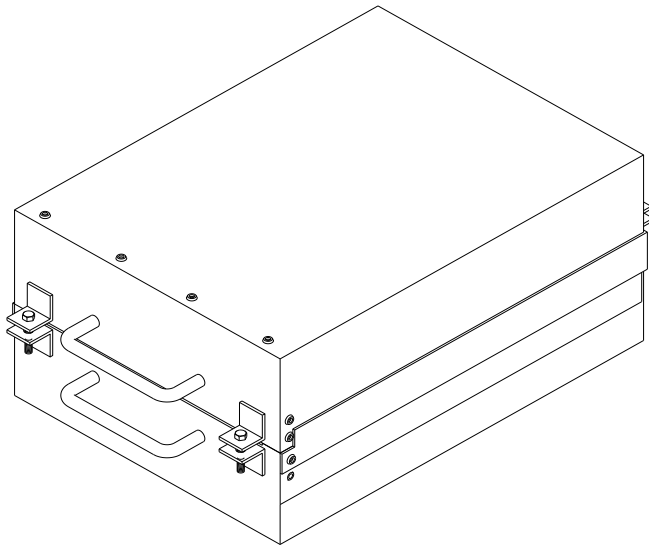
Space Constraints: _____

Vertical Clearance: _____ Width?: _____ Length?: _____



Electronic Controls Design, Inc. 4287-A S.E. International Way, Milwaukie, OR 97222
 (800) 323-4548 (503) 659-6100 Fax (503) 659-4422

NOTE: Specifications may change at any time. If your time/temp application lies quite near the curve, or clearance issue exists, please contact ECD Industrial Division.

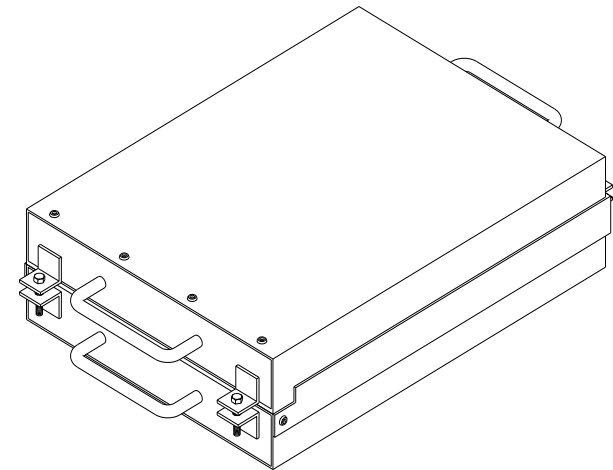


INDATA 210 Barrier

Part Number: SE31-0906-80

Dimensions, Inches: 8.2" x 13.2" x 17.9"

Dimensions, Millimeters: 208 x 335 x 455mm

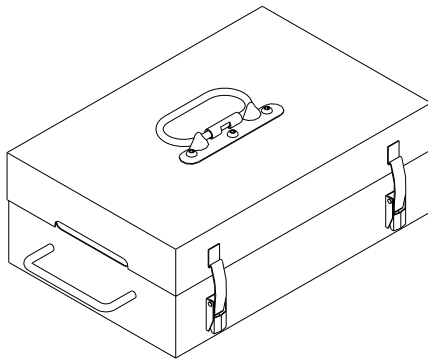


INDATA 130 Barrier

Part Number: SE31-0905-80

Dimensions, Inches: 5.1" x 13.2" x 17.9"

Dimensions, Millimeters: 130 x 335 x 455mm

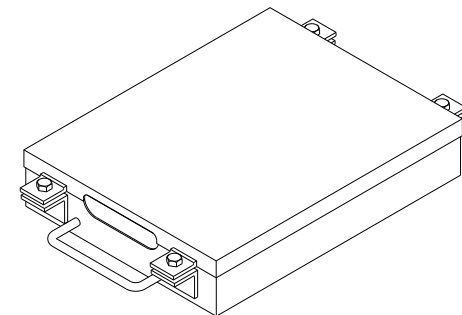


INDATA 135 Barrier

Part Number: SE31-0907-80

Dimensions, Inches: 5.3" x 9.1" x 13.8"

Dimensions, Millimeters: 135 x 230 x 350mm



INDATA 60 Barrier

Part Number: SE31-0908-80

Dimensions, Inches: 2.5" x 10" x 13"

Dimensions, Millimeters: 62 x 250 x 320mm