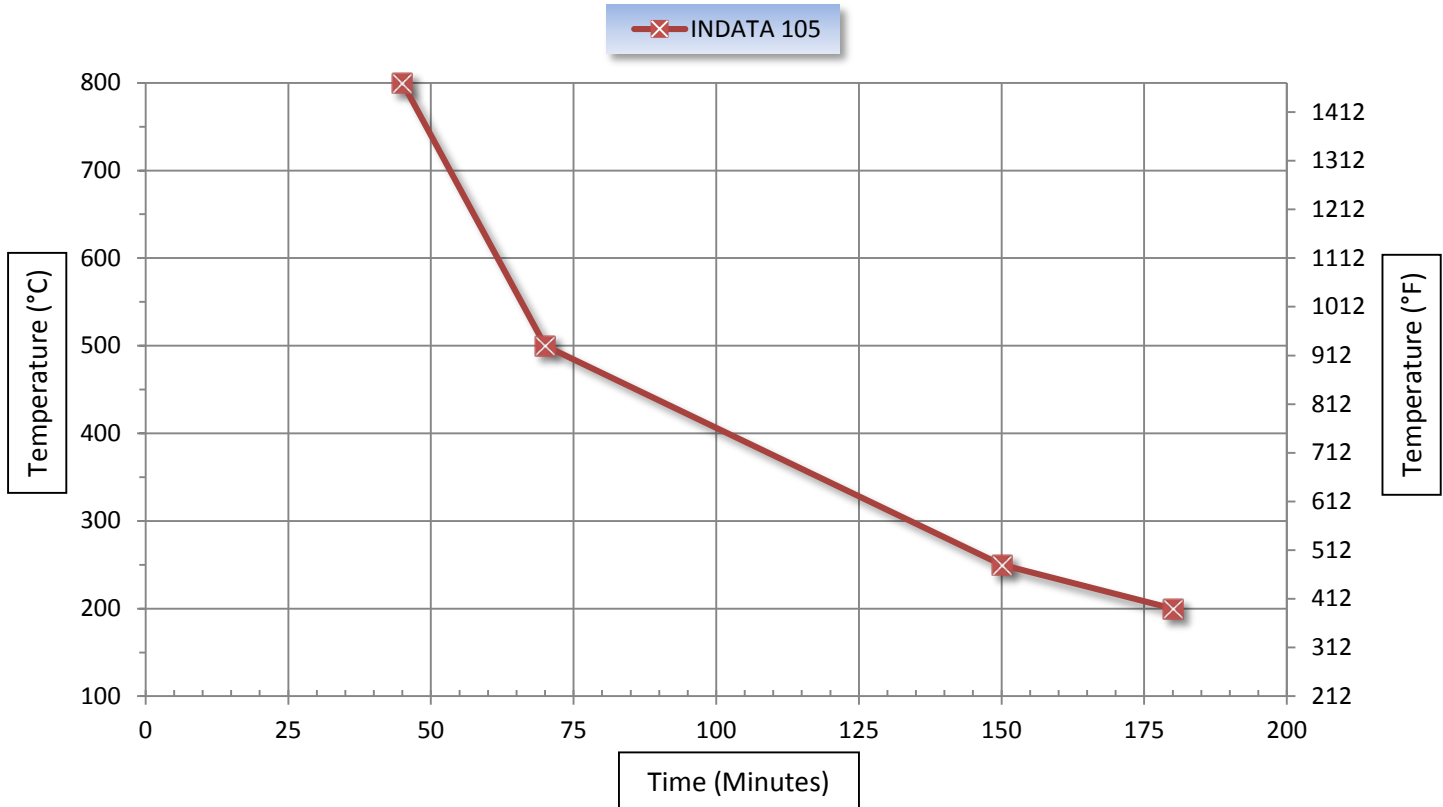


Thermal Barrier Datasheet

INDATA® 105

ECD P/N: E31-0918-80

This thermal barrier is designed for low clearance higher temperature processes between 20 and 70 minutes, such as 600C for 60 minutes.



Temperature:	200°C [392°F]	250°C [482°F]	500°C [932°F]	800°C [1472°F]
Duration time:	3.0 hours	2.5 hours	70 min.	45 min.
Max Operational Temp.:	The maximum operation temperature of the barrier is between 800°C [1472°F] and 950°C [1742°F] (depending on the environment).			
Handling Details:	This barrier includes 2 heat sinks to absorb heat. Please make sure these canisters are fully cooled to 15°C [59°F] before reuse.			



North & South America, Europe
 ECD World Headquarters
 4287-B SE International Way
 Milwaukie, Oregon 97222-8825 U.S.A.
 Tel: +1 503 659 6100 | + 1 800 323 4548
 Fax: + 1 503 659 4422
 E-Mail: sales@ecd.com | Web: www.ecd.com

ECD Asia/Pacific
 Singapore
 Mobile: +65 9692 6822
 Fax: +65 6241 9890
 E-Mail: ecd.asia@ecd.com

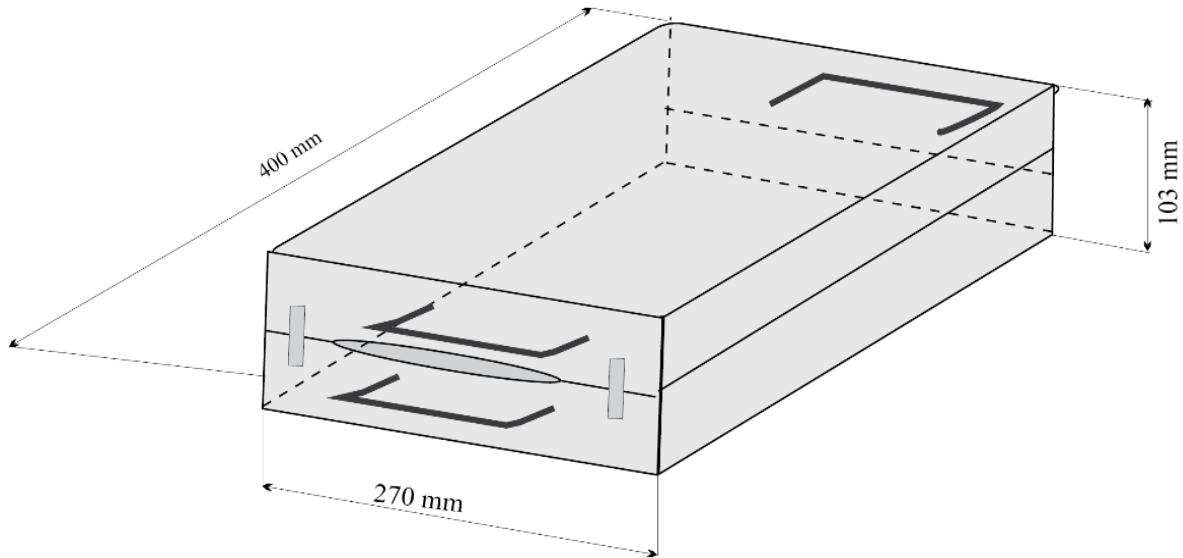
ECD Europe/Africa/Middle East
 Mobile: +48 512 659 100
 E-Mail: ecd.europe@ecd.com

- Top rated customer support • No-cost ECD Online Training • Award winning software •

Thermal Barrier Datasheet

INDATA® 105

ECD P/N: E31-0918-80



Barrier Dimensions:	Height:	Width:	Length:	Weight:
	103mm [4.06"]	270mm [10.63"]	400mm [15.75"]	12kg [26.46lbs]



North & South America, Europe
 ECD World Headquarters
 4287-B SE International Way
 Milwaukie, Oregon 97222-8825 U.S.A.
 Tel: +1 503 659 6100 | + 1 800 323 4548
 Fax: + 1 503 659 4422
 E-Mail: sales@ecd.com | Web: www.ecd.com

ECD Asia/Pacific
 Singapore
 Mobile: +65 9692 6822
 Fax: +65 6241 9890
 E-Mail: ecd.asia@ecd.com

ECD Europe/Africa/Middle East
 Mobile: +48 512 659 100
 E-Mail: ecd.europe@ecd.com

- Top rated customer support • No-cost ECD Online Training • Award winning software •