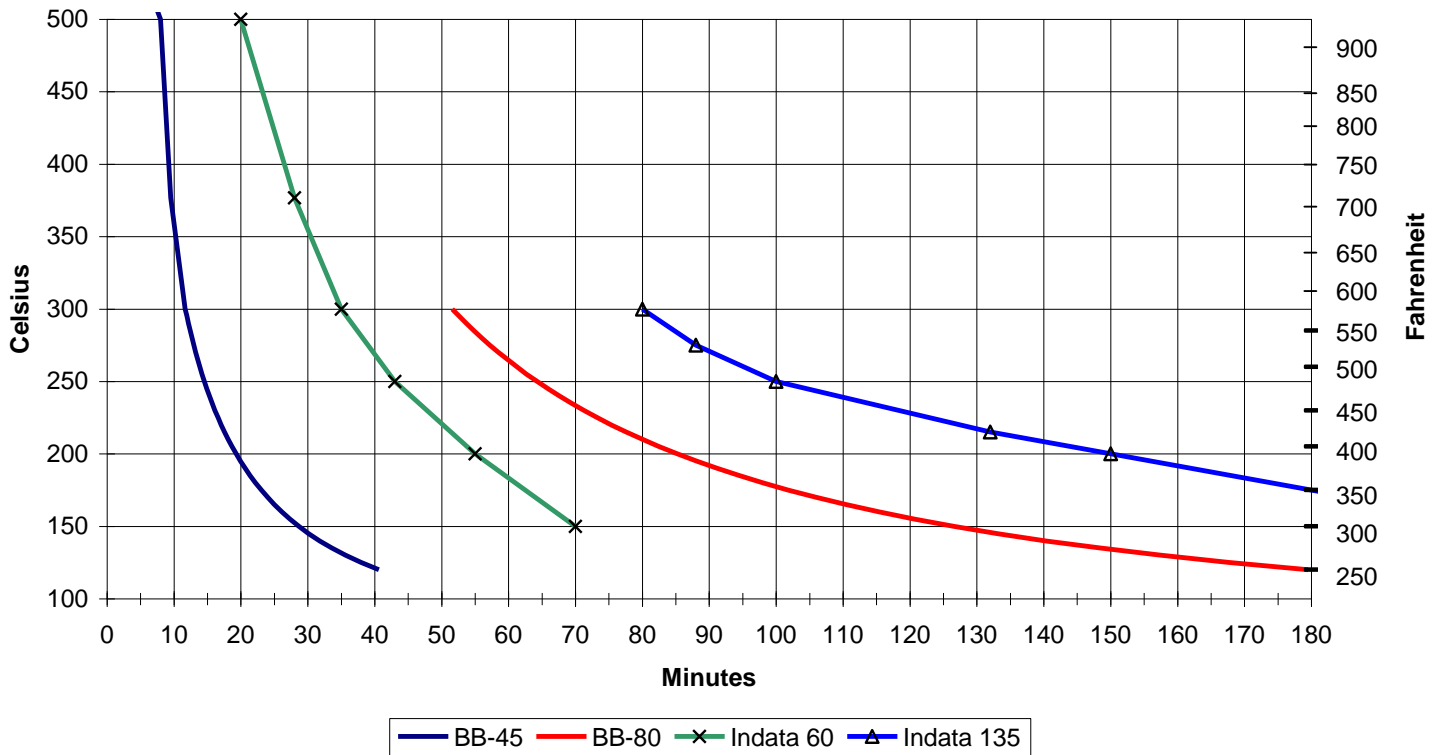


Process Heating Barrier Selection Chart



Barriers	Part Number	Dimensions, Inches			Dimensions, Millimeters		
		H	W	L	H	W	L
BB-45	E44-4245-80	1.8"	4.6"	9.9"	45	117	252mm
BB-80	E31-0915-80	3.1"	4.6"	12.0"	80	116	300mm
INDATA 60 Barrier	E31-0908-80	2.5"	10.0"	13.0"	62	250	320mm
INDATA 135 Barrier	E31-0907-80	5.3"	9.1"	13.8"	135	230	350mm

Product(s) Manufactured at this Location: _____
 Oven Type: _____
 Duration: _____ Temperature: _____
 Space Constraints: _____
 Vertical Clearance: _____ Width ? : _____ Length ? : _____



Electronic Controls Design, Inc. 4287-A S.E. International Way, Milwaukie, OR 97222
 (800) 323-4548 (503) 659-6100 Fax (503) 659-4422

NOTE: Specifications may change at any time. If your time/temp application lies quite near the curve, or clearance issue exists, please contact ECD Industrial Division.



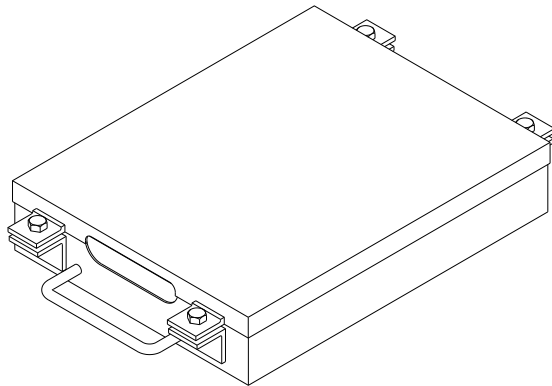
BB-45
(Insulation Only)

Part Number: E31-0290-80
Dimensions, Inches: 1.75" x 4.6" x 9.9"
Dimensions, Millimeters: 44.5 x 116.8 x 251.5mm



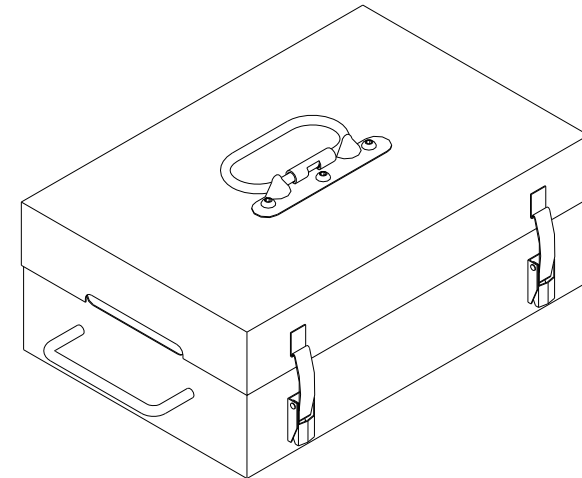
BB-80
(Insulated W/Active Heat Sink)

Part Number: E31-0915-80
Dimensions, Inches: 3.14" x 4.56" x 11.8"
Dimensions, Millimeters: 80 x 116 x 300 mm



INDATA 60 Barrier
(Insulated W/Active Heat Sinks)

Part Number: E31-0908-80
Dimensions, Inches: 2.5" x 10" x 13"
Dimensions, Millimeters: 62 x 250 x 320mm



INDATA 135 Barrier
(Insulated W/Active Heat Sinks)

Part Number: E31-0907-80
Dimensions, Inches: 5.3" x 9.1" x 13.8"
Dimensions, Millimeters: 135 x 230 x 350mm